



(1+1)x1 Multimode Pump & Signal Combiner (MMPC Series)

Rev 11G

Features

- High power transfer efficiency
- Wavelength insensitive
- Particular pulling and package technique
- Custom configurations available

Applications

- High power fiber laser
- High power EDFA
- CATV amplifier

Description

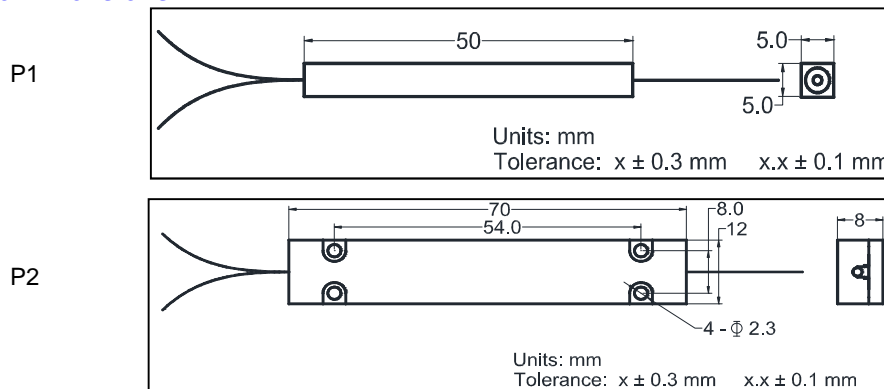
- Pump combiner + signal transfers

Specifications

Parameter	Unit	Value	
Product Type		(1+1)x1	
Pump Wavelength Range	nm	900 - 1000	
Signal Wavelength Range	nm	1060 or 1550	
Fiber Type for Input (Pump Channel)	µm	105/125 (0.15 NA or 0.22 NA)	
Fiber Type for Input (Signal Channel)	µm	6/125 DCF, 10/125 DCF	
Fiber Type for Output	µm	6/125 DCF, 10/125 DCF	
Signal Channel Insertion Loss	dB	< 0.50	
Typ. Pump Efficiency	%	94	
Min. Pump Efficiency	%	92	
Max. Input Pump Power	W	1 × 10	1 × 30
Package Dimensions	mm	P1: 50 (L) × 5 (W) × 5 (H)	P2: 70 (L) × 12 (W) × 8 (H)
Operating Temperature	°C	0 to +65	
Storage Temperature	°C	-40 to +85	

*Mode number summation of all input fibers should be less than that of output fiber.

Package Dimensions



Ordering Information

MMPC-(1+1)x1-①①-②②②-③③-④④-⑤⑤-⑥-⑦

①①: Signal Wavelength

06 - 1060 nm

55 - 1550 nm

SS - Specify

②②②: Pump Wavelength

915 - 915 nm

975 - 975 nm

SSS - Specify

③③: Fiber Type for Pump Input

15 - 105/125 (0.15 NA)

22 - 105/125 (0.22 NA)

④④: Fiber Type for Signal Input

06 - 6/125 DCF, NA = 0.14/0.46

10 - 10/125 DCF, NA = 0.08/0.46

SS - Specify

⑤⑤: Fiber Type for Output

06 - 6/125 DCF, NA = 0.14/0.46

10 - 10/125 DCF, NA = 0.08/0.46

SS - Specify

⑥: Fiber Length

Q - 0.75m

1 - 1.0 m

S - Specify

⑦: Package Type

1 - P1

2 - P2